

TYLÖ®



S A U N A S

S H O W E R S

S T E A M B A T H S

Classic Tylö sauna heaters for domestic use.

Over the years Tylö has pioneered numerous innovations to improve and develop the function, safety and enjoyment of sauna bathing. Today's Tylö heaters are the pinnacle of sauna technology, and our classic models excel over other brands in one crucial area after the other. You only have to look at the design, the precision and the quality of the finish to see that. But the difference in class really begins to show once the heater is switched on – and you can begin to switch off.

Our classic Tylö heaters for home saunas are available with a separate wall-mounted control panel outside the sauna room, or with dials for controlling time and temperature integrated into the heater itself. Whatever model you choose, you can be sure it includes all the features that have made Tylö a byword for quality among sauna aficionados all over the world.

Record-quick heating-up time

The unique Tylö construction incorporates twin side chambers and heat directors for the most effective air circulation.

Low energy consumption

The divided output construction has been a patented feature of Tylö heaters for many years. It means the heater automatically reverts to stand-by as soon as the desired bathing temperature has been reached and then maintains a constant bathing temperature.

Comfortable bathing climate

An integral humidifier that you fill with water when you switch on the sauna heater ensures a pleasant, constant level of humidity – just as it should be in a true Tylö sauna.

100% vaporisation

The large, deep Tylö stone compartment and direct contact between the stones and the heating elements combine to produce a truly outstanding vaporisation performance when water is sprinkled over the stones.

Safe and reliable

Temperature cut-off, thermostat and temperature sensor are just three of the carefully engineered key components that ensure safety in use.

Finest materials

The stainless steel stone compartment and solid-cast aluminium top are two features that reflect our philosophy of using only materials that meet the highest of criteria.

Long life

Our heating elements – the heart of every sauna heater – are manufactured under rigorously controlled conditions to safeguard function and prolonged durability.



Classic sauna heaters and control panels.



Sauna heaters with integral control functions

Compact 2/4 (Art. no. 6210 2000)

A heater for small sauna rooms. Stone compartment for use with Mini sauna stones. Control panel with thermostat and mechanical timer integrated into the base of the heater. Max. 3 hours running time. 0-9 hour preset. 2.2-4.5 kW convertible for connection to 230 V (single-phase) or 400 V (two-phase with neutral). For sauna rooms 1.5-4.5 cu.m.



Sport 6 (Art. no. 6210 3009)

With control panel, thermostat and mechanical timer integrated into the base of the heater. Max. 3 hours running time. 0-9 hour preset. 6.6 kW output for sauna rooms 4-8 cu.m.

Sport 8 (Art. no. 6210 4009)

As above, but with 8 kW output for sauna rooms 6-12 cu.m.



Sauna heaters with flexible-location control panel

MPE 6 (Art. no. 6310 2009)

With an easily accessible electronic control panel that shows time and temperature with light diodes on a scale of 1–10.

Max. 3 hours running time. 0–10 hour preset. 6.6 kW output for sauna rooms 4–8 cu.m.

MPE 8 (Art. no. 6310 3009)

As above, but with 8 kW output for sauna rooms 6–12 cu.m.



The control panel may be placed inside the sauna room for easy access (max. 1 metre above floor level) or outside the sauna room.



Sauna heaters for use with TS control panel

SK 6 (Art. no. 6010 2009)

Requires separate thermostatic control panel type TS. 6.6 kW output for sauna rooms 4–8 cu.m.

SK 8 (Art. no. 6010 3009)

As above, but with 8 kW output for sauna rooms 6–12 cu.m.



Sauna heaters for use with CC control panel

SE 6 (Art. 6010 2019)

Requires separate electronic control panel type CC. 6.6 kW output for sauna rooms 4–8 cu.m.

SE 8 (Art. 6010 3019)

As above, but with 8 kW output for sauna rooms 6–12 cu.m.





TS thermostatically controlled panels

TS 16-3 (Art. no. 7010 2000)

Control panel for SK 6 and SK 8 for installation outside the sauna room (max. distance 1.8 m). Robust, reliable construction with timer, 0–9 hour preset and max. 3 hours running time, thermostat and pilot lamp. Energy-saving function reduces sauna heater output as soon as the air has been heated to the desired temperature. Capillary tube: 1.8 m. Size: 195 x 255 mm, depth 89 mm (installation size: 167 x 227 x 49 mm).

TS 16-3 B (Art. 7010 2002)

As above, with on/off switch for sauna lighting.

TS panels are also available with 5-metre long capillary tubes.



CC electronic control panels

CC 10-3B (Art. 7111 3000)

Electronic control panel for SE 6 and SE 8 heaters. Designed for wall-mounted installation outside the sauna. Simple to operate. Light diodes display time and temperature settings on a numbered scale. Max. 3 hours running time. 0–10 hour preset. Low-voltage connection gives more flexibility when locating the control panel at a distance from the heater. May also be connected to an external switch or linked to a computer for remote control operation. Size: 100 x 150 mm, depth 30 mm.

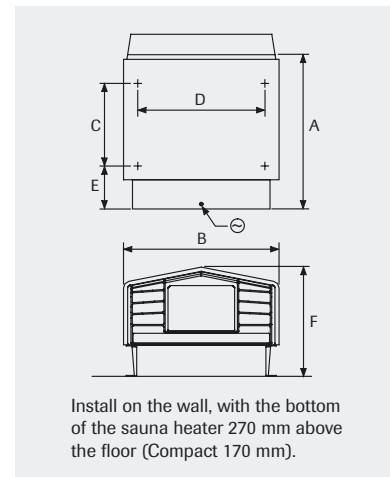
CC 10-10B (Art. 7111 3002)

As above, but with 10 hours running time. No preset.



CC 50 (Art. 7111 4005)

Display for time and temperature, switch for lighting, and security code function. Programmable for 1, 3, 12 and 24 hours or continuous operation. 0–10 hour preset. Add relay box RB to complete when installing for use with an SD heater. Size: 130 x 190 mm, depth 27 mm.



Install on the wall, with the bottom of the sauna heater 270 mm above the floor (Compact 170 mm).

Tylö sauna heaters – technically speaking.

A word of advice: Always choose the highest recommended output in relation to the volume of the sauna. This is especially important in log saunas and saunas with glazed wall sections. The greater the heat output in relation to the size of the sauna room, the lower the overall energy consumption. This means, for example, that in a sauna room with a volume of 4 cubic metres, a 6.6 kW heater is a better choice than a 4.5 kW heater.

Sauna heater	Output kW	Sauna volume (cu.m.)	Minimum gap to side wall (mm)	Minimum height to ceiling in sauna (mm)	Suitable control panel	Weight without stones kg	Weight of stones kg	Sizes in mm (see sketches above)					
								A	B	C	D	E	F
Compact 2/4	2.2 – 4.5	1.2 – 4.5*	50	1900	Built-in	6	7	400	310	195	260	135	170
Sport 6	6.6	4 – 8	110	1900	Built-in	13	10	435	455	240	410	125	315
Sport 8	8	6 – 12	110	1900	Built-in	15	12	505	455	240	410	170	315
MPE	6.6	4 – 8	110	1900	Included	13	10	435	455	240	410	125	315
MPE	8	6 – 12	110	1900	Included	15	12	505	455	240	410	170	315
SK 6	6.6	4 – 8	110	1900	TS 16 or TS 30	13	10	435	455	240	410	125	315
SK 8	8	6 – 12	110	1900	TS 16 or TS 30	15	12	505	455	240	410	170	315
SE 6	6.6	4 – 8	110	1900	Optional CC	13	10	435	455	240	410	125	315
SE 8	8	6 – 12	110	1900	Optional CC	15	12	505	455	240	410	170	315

* Max 2.5 cu.m. for 2.2kW.

Tylö Mega sauna heaters for domestic use.

It's easy to understand why the contemporary styling of Mega sauna heaters has attracted such interest in the market. But another good reason for the success of this new series of heaters for traditional sauna bathing is the capacious stone compartment that provides the optimum conditions for prolonged water vaporisation.

Mega heaters are made in part from stainless steel, and incorporate heating elements and other components of the finest quality – your assurance of long life and dependability. All Mega models for domestic use have an easily accessible integral control panel to set bathing time and temperature.

Efficient air circulation

Mega heaters incorporate the unique Air Flow System – a concept that balances the heat and air supply to ensure that the water vaporisation process is gentle and relaxing.

Long-lasting vaporisation

The deep stone compartment and the generous quantity of stones prolong the vaporisation process and make it gentler and more soothing.

Large stone compartment

The inimitable sensation of traditional sauna bathing is reinforced visually by the large stone compartment of the Mega heaters. They hold up to 30 kilos of sauna stones depending on the model.

Top quality materials

The high quality of Mega heaters is emphasised by the carefully selected materials. For example, both the inner and outer casing and the stone compartment itself are made of stainless steel.

Tylö sauna heaters – technically speaking.

A word of advice: Always choose the highest recommended output in relation to the volume of the sauna. This is especially important in log saunas and saunas with glazed wall sections. The greater the heat output in relation to the size of the sauna room, the lower the overall energy consumption. This means, for example, that in a sauna room with a volume of 4 cubic metres, a 6.6 kW heater is a better choice than a 4.5 kW heater.

Sauna heater	Output kW	Sauna volume (cu.m.)	Minimum gap to side wall (mm)	Minimum height to ceiling in sauna (mm)	Suitable control panel and relay box	Distance floor – heater (mm)	Weight without stones kg	Weight of stones kg	Sizes in mm width x depth x height
SO 6	6	4 – 8	50	1900	Built-in	200	11	30	420 x 390 x 480
SO 8	8	6 – 12	80	1900	Built-in	200	12	30	420 x 390 x 480
Super 10	10	10 – 17	100	1900	Built-in	200	16	22	370 x 450 x 590



Sauna heaters with integral control panels

SO 6 (Art. 6205 3003)

Integral control panel with thermostat and timer located on the top rear of the heater. Max. 3 hours running time. 0-9 hour preset. For wall mounting. 6 kW output for sauna rooms 4-8 cu.m.

SO 8 (Art. 6205 3013)

As above, but with 8 kW output for sauna rooms 6-12 cu.m.

Super 10 (Art. 6305 0133)

An electronic control panel easily accessible on the circular heater-guard shows time and temperature. Max. 3 hours running time. 0-10 hour preset. For wall mounting. 10 kW output for sauna rooms 10-17 cu.m.

Registered office, factory and warehouse:
Svarvaregatan 6, SE-302 50 Halmstad, Sweden
Tel: +46 35-299 00 00 • Fax: +46 35-299 01 98
E-mail: info@tylo.se • Website: www.tylo.com

TYLÖ®
www.tylo.com