

# TYLÖ®



S A U N A S

S H O W E R S

S T E A M B A T H S

# Classic Tylö sauna heaters for professional facilities.

For decades Tylö has been the obvious choice for saunas in hotels, clubs, swimming baths and sports facilities. Professionally managed environments like these prioritise reliability and low energy consumption, while frequent use subjects both designs and materials to punishing treatment.

Thanks to their tried-and-tested construction, intelligently conceived functions and materials of the very finest quality, our classic SD heaters are more than a match for tough criteria like these. No wonder they're such a common sight in public saunas all over the world!

## Energy-saving stand-by function

Stand-by is another Tylö innovation that saves energy (and money, too!) in public facilities. During off-peak periods the sauna heater reduces its heating output to a stand-by level. This can then be rapidly increased to the desired temperature when bathers arrive.

## Unsurpassed durability

Tylö is the only sauna manufacturer in the world to make its own heating elements, the most vital component in any sauna heater. This gives us full insight into the quality-controlled manufacturing process – and ensures that Tylö elements live up to the toughest demands for function and durability.

## Outstanding vaporisation

The unique construction of Tylö heaters means that the heating elements are in direct contact with the stones in the deep, generously proportioned stone compartment. This produces the highest possible sauna stone temperature and a super-swift vaporisation effect that no other heater can match.

## Wall-mounted design

A wall-mounted heater not only maximises space inside the sauna, but it also makes the room easier to clean and more hygienic.

## Unique seal of approval

Tylö heaters are the only ones on the market that are approved for use with or without sauna stones, which reduces heating-up times and energy consumption.

## Unparalleled safety

The highest quality components and materials, backed up by careful tests at every stage of the production process, are just two of the reasons why Tylö sauna heaters have been synonymous with good quality for more than 50 years.



## Sauna heaters for use with separate control panels

### SDK 10 (Art. 6410 1009)

Requires separate control panel type TS 16, TS 30 or CC with relay box RB 30. 10.7 kW output. For sauna rooms 10–18 cu.m.

### SD 16

400 V 3-phase (Art. 6410 3000)

230 V 3-phase (Art. 6410 3001)

Requires separate control panel type TS 30 or CC with relay box RB 30. 16 kW output for sauna rooms 15–35 cu.m.

### SD 20

400 V 3-phase (Art. 6410 4000)

230 V 3-phase (Art. 6410 4001)

As above, but with 20 kW output. Use together with a separate control panel type TS 58-12 RB or a CC panel with relay box RB 60. For sauna rooms 22–43 cu.m.



## Thermostatically controlled panels TS

### TS 30-03 (Art. 7011 2010)

Thermostatically controlled panel for SDK 10 and SD 16 heaters. For wall installation outside the sauna room (max. distance 1.8 m). Timer for up to 3 hours running time. 0–9 hour preset. Standard capillary tube: 1.8 m. Size: 195 x 255 mm, depth 89 mm (installation size: 167 x 227 x 49 mm).

### TS 30-012 (Art. 7011 2020)

As above, but with 12 hours running time. No preset function.

### TS 58-12 RB (Art. 7011 4001)

Mechanical control panel equipped with relay box. For use with SD 16 and SD 20 heaters. Timer for up to 12 hours running time. No preset. Capillary tube: 5 m.

### 5 metre capillary tube

For panels TS 30-03 and TS 30-012.

### Locking covers

Transparent acrylic. Suitable for all TS control panels.

### Cover A (Art. 9010 1000)

Prevents unauthorised access to time and temperature settings.

### Cover B (Art. 9010 1010)

Prevents unauthorised access to temperature setting.

## Tylö sauna heaters – technically speaking.

**A word of advice:** Always choose the highest recommended output in relation to the volume of the sauna. This is especially important in log saunas and saunas with glazed wall sections. The greater the heat output in relation to the size of the sauna room, the lower the overall energy consumption. This means, for example, that in a sauna room with a volume of 4 cubic metres, a 6.6 kW heater is a better choice than a 4.5 kW heater.

Sauna heater	Output kW	Sauna volume (cu.m.)	Minimum gap to side wall (mm)	Minimum height to ceiling in sauna (mm)	Suitable control panel	Weight without stones kg	Weight of stones kg	Sizes in mm (see sketches above)					
								A	B	C	D	E	F
SDK 10	10.7	10 – 18	150	1900	TS 16, TS 30, CC + RB 30	30	25	570	650	310	600	165	395
SD 16	16	15 – 35	150	2100	TS 30, CC + RB 30	32	25	570	650	310	600	165	395
SD 20	20	22 – 43	150	2100	TS 58-12 RB, CC + RB 60	32	25	570	650	310	600	165	395

## Electronic control panels CC

Electronic models for touch control or remote control of the sauna climate. May also be connected to an external switch or linked to a computer. Energy-saving divided output function.



### CC 50 (Art. 7111 4005)

Display for time and temperature, switch for lighting, and security code function. Programmable for 1, 3, 12 and 24 hours or continuous operation. 0–10 hour preset. Add relay box RB to complete when installing for use with an SDK/SD heater. Size: 130 x 190 mm, depth 27 mm.



### CC 100 (Art. 7111 5105)

As the CC 50 panel above, but with the following additional features: multilingual display (7 languages), clock, memory function with unlimited back-up power in the event of electricity cuts, energy-saving stand-by function, built-in weekly timer where you can store details of automatic on/off times, day-by-day temperature settings and up to 4 different bathing programmes per day. Switchable for 3 hours, 12 hours or continuous running time. Size: 130 x 190 mm, depth 40 mm.

## Relay boxes

### Relay box RB 30 (Art. 7101 6006)

Use with your choice of CC panel to control sauna heaters SDK 10 and SD 16. Size: 230 x 310 mm, depth 75 mm.



### Relay box RB 60 (Art. 7101 6007)

As above for sauna heater SD 20. Size: 305 x 350 mm, depth 125 mm.

## OPTIONAL ACCESSORIES

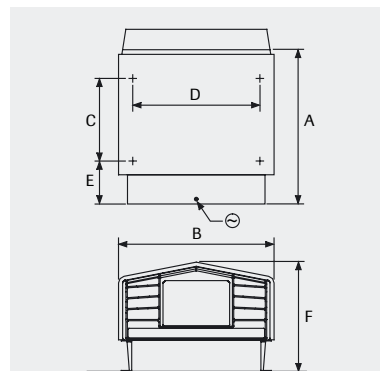
### External switch (Art. 9090 8040)

On/off switch to control sauna from locations other than where the CC control panel is installed.



### Decorative surround

Decorative aluminium surround for control panel in a choice of three finishes: Aluminium (Art. 9000 1050) Stainless steel (Art. 9000 1051) Brushed steel (Art. 9000 1052).



Install on the wall, with the bottom of the sauna heater 270 mm above the floor (Compact 170 mm).

# Tylö Mega sauna heaters for public facilities.

Mega is a new family of sauna heaters that combine the traditional pleasures of sauna bathing with clean, contemporary lines. One of the heaters' distinguishing features is the capacious stone compartment that provides optimum conditions for prolonged water vaporisation. Mega heaters also incorporate the special "Air Flow System" – a unique construction that balances the heat and air supply to ensure that the water vaporisation process feels extra gentle and relaxing.

Mega heaters for professional use are available with outputs from 10 to 22 kW, as floor models and with a separate control panel. All models are made more or less entirely from stainless steel, and incorporate heating elements and other components of the finest quality. That helps to ensure long life and dependability, which in turn makes these heaters ideally suited for use in public bathing facilities.



### **Energy-saving stand-by function**

Stand-by is a unique Tylö innovation that saves energy (and money, too!) in public facilities. With the help of modern technology the heating output is reduced to a stand-by level during off-peak periods before being automatically increased to the desired temperature when bathers arrive.

### **Unsurpassed durability**

Here at Tylö we have made the decision to manufacture our own heating elements – the most vital component in any sauna heater. This gives us full control over the entire manufacturing process and ensures that Tylö elements live up to the toughest demands for function and durability.

### **Large stone compartment**

Mega heaters have extra large stone compartments to hold between 25 and 55 kilos of sauna stones, depending on the model. This ensures a prolonged and pleasant water vaporisation process in the sauna.

### **Top quality materials**

The high quality of the Mega concept is emphasised by the carefully selected materials. For example, both the inner and outer casing and the stone compartment are made of stainless steel.

### **Remote control of the sauna**

One of the advantages of complementing a Mega heater with a separate control panel is that this enables you to program in a variety of bathing cycles and bathing times.

### **Wide choice of models**

Large Mega heaters for professional use are available with outputs from 10 to 22 kW, as wall-mounted or floor models, and with an integral or separate control panel.

### **Floor-mounted**

Mega heaters are floor-mounted to give you plenty of layout options, especially when planning and furnishing large sauna rooms.



# Mega sauna heaters for professional use.



## Sauna heaters with separate control panel

### **Mega EP 100** (Art. 6405 0003)

Requires separate control panel type TS 16, TS 30 or CC and relay box RB 30. Floor-mounted. 10 kW output for sauna rooms 10–17 cu.m.

### **Mega EH 150** (Art. 6405 0023)

Requires separate control panel type TS 30 or CC and relay box RB 30. Floor-mounted. 15 kW output for sauna rooms 14–34 cu.m.

### **Mega EZ 225** (Art. 6405 0053)

Requires separate control panel type TS 58-12 RB or CC and relay box RB 60. Floor-mounted. 22 kW output for sauna rooms 22–45 cu.m.



## Thermostatically controlled panels TS

Mechanical control panels with features that include a timer, temperature dial, on/off switch and pilot lamp. Robust, reliable construction with energy-saving divided output. Size: 195 x 255 mm, depth 89 mm (installation size: 167 x 227 x 49 mm).

### TS 30-03 (Art. 7011 2010)

Max. 3 hours running time. 0–9 hour preset. For use with Mega EP 100, EH 150 and EZ 225 heaters. Capillary tube: 1.8 m.

### TS 30-012 (Art. 7011 2020)

As above, but with 12 hours running time.

### TS 58-12 RB (Art. 7011 4001)

Complete with relay box. Max. 12 hours running time. For use with Mega EZ 225 sauna heater. Capillary tube: 5 m.

## ACCESSORIES

### 5 m capillary tube

For use with TS 30-03 and TS 30-012 control panels above.

### Locking cover

Transparent acrylic. Suitable for all TS control panels.

### Cover A (Art. 9010 1000)

Prevents unauthorised access to time and temperature settings.

### Cover B (Art. 9010 1010)

Prevents unauthorised access to temperature setting.



## Electronic control panels CC

Electronic models for touch control or remote control of the sauna climate. May also be connected to an external switch or linked to a computer. Energy-saving divided output function.

### CC 50 (Art. 7111 4005)

Display for time and temperature, switch for lighting, and security code function. Programmable for 1, 3, 12 and 24 hours or continuous operation. 0–10 hour preset. Add relay box RB to complete when installing with a Mega heater. Size: 130 x 190 mm, depth 27 mm.

### CC 100 (Art. 7111 5105)

As the CC 50 panel above, but with the following additional features: multilingual display (7 languages), clock, memory function with unlimited back-up power in the event of electricity cuts, energy-saving stand-by function, built-in weekly timer where you can store details of automatic on/off times, day-by-day temperature settings and up to 4 different bathing programmes per day. Switchable for 3 hours, 12 hours or continuous running time. Size: 130 x 190 mm, depth 40 mm.

## Relay boxes

### Relay box RB 30

(Art. 7101 6006)

Use with your choice of CC panel to control sauna heaters Mega EP 100 and EH 150. Size: 230 x 310 mm, depth 75 mm.

### Relay box RB 60 (Art. 7101 6007)

As above, but for sauna heater Mega EZ 225. Size: 305 x 350 mm, depth 125 mm.



## OPTIONAL ACCESSORIES

### External switch (Art. 9090 8040)

On/off switch to control sauna from locations other than where the CC control panel is installed.



### Decorative surround

Decorative aluminium surround for control panel in a choice of three finishes:

Aluminium (Art. 9000 1050)

Stainless steel (Art. 9000 1051)

Brushed steel (Art. 9000 1052).

## Tylö sauna heaters – technically speaking.

**A word of advice:** Always choose the highest recommended output in relation to the volume of the sauna. This is especially important in log saunas and saunas with glazed wall sections. The greater the heat output in relation to the size of the sauna room, the lower the overall energy consumption. This means, for example, that in a sauna room with a volume of 4 cubic metres, a 6.6 kW heater is a better choice than a 4.5 kW heater.

Sauna heater	Output kW	Sauna volume (cu.m.)	Minimum gap to side wall (mm)	Minimum height to ceiling in sauna (mm)	Suitable control panel and relay box	Distance floor – heater (mm)	Weight without stones kg	Weight of stones kg	Sizes in mm width x depth x height
EP 100	10	10 – 17	80	1900	TS 16, CC + RB 30	–	11	25	360 x 420 x 650
EH 150	15	14 – 34	100	2300	TS 30, CC + RB 30	–	25	45	480 x 540 x 780
EZ 225	22	22 – 45	100	2300	TS 58, CC + RB 60	–	27	55	560 x 550 x 900

**Registered office, factory and warehouse:**  
**Svarvaregatan 6, SE-302 50 Halmstad, Sweden**  
Tel: +46 35-299 00 00 • Fax: +46 35-299 01 98  
E-mail: [info@tylo.se](mailto:info@tylo.se) • Website: [www.tylo.com](http://www.tylo.com)

**TYLÖ®**  
**[www.tylo.com](http://www.tylo.com)**